

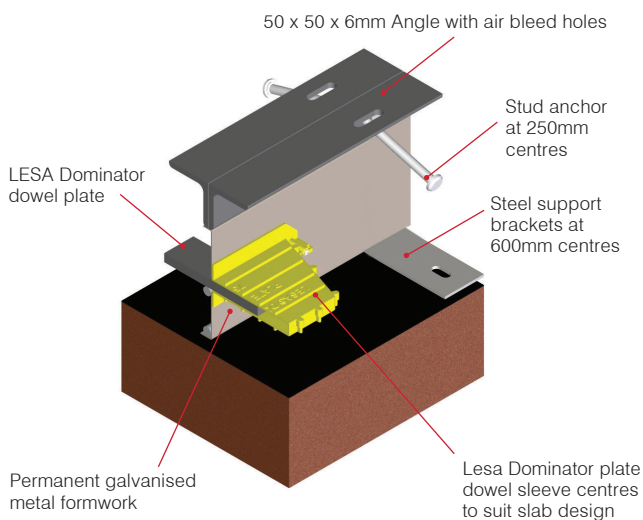
LESA ARMOUR JOINT SYSTEMS

LESA ARMOUR JOINT TYPE P

EQUAL ANGLE ARMOUR JOINT PROTECTION

Type P is a fully assembled version using steel angles in place of flat bar for joint edge protection. This version is used where clients have a preference for steel angle joint edges and are used in installations such as supermarkets.

1



2

